

# Isolation Transformers

## Features:

- For Adapter Cards, Maus Hubs and Motherboard Applications
- Designed to Meet or Exceed IEEE 802.3 ,10Base-T Specifications
- Low profile,surface mount packaging rated to 225°C
- Operating temperature -5°C to 70°C
- Isolation Voltage:1500Vrms

## Electrical Specifications @ 25°C (100KHz, 100mV)

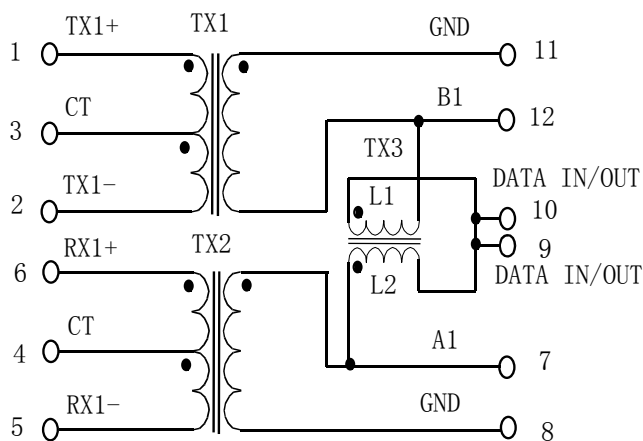
Part Number	Turns Ratio	Primary Pins	Cw/w (pF max)	L1 uH max	DCR ( $\Omega$ max)	OCL uH min (8mA DC Bias)
YL18-1090D	14:18	1-2/6-5	17	0.4	0.9	250

TX1 1-2:11-12=14:18

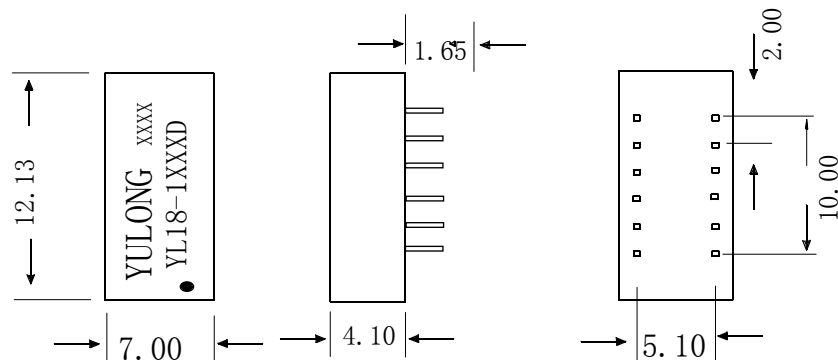
TX2 6-5:7-8=14:18

TX3 N1:N2=1:1 L1=L2=100uH

## Schematics



## Mechanicals



**NOTE:Dimensions:inches/(mm) unless otherwise specified all tolerances are  $\pm 0.010(0.25)$**