

# 10M/100M Base-T Integrated Connector Modules

## Description:

10M/100M Base-TX RJ45 1\*N Tab-DOWN with or without Leds integrated magnetics connector(ICM) designed to support applications such as:SOHO(ADSL modems),LAN-on-Motherboard (LOM),hub and Switches.

## Electrical Performance Summary:

Meets or exceeds IEEE 802.3ab standards for 1000base-T

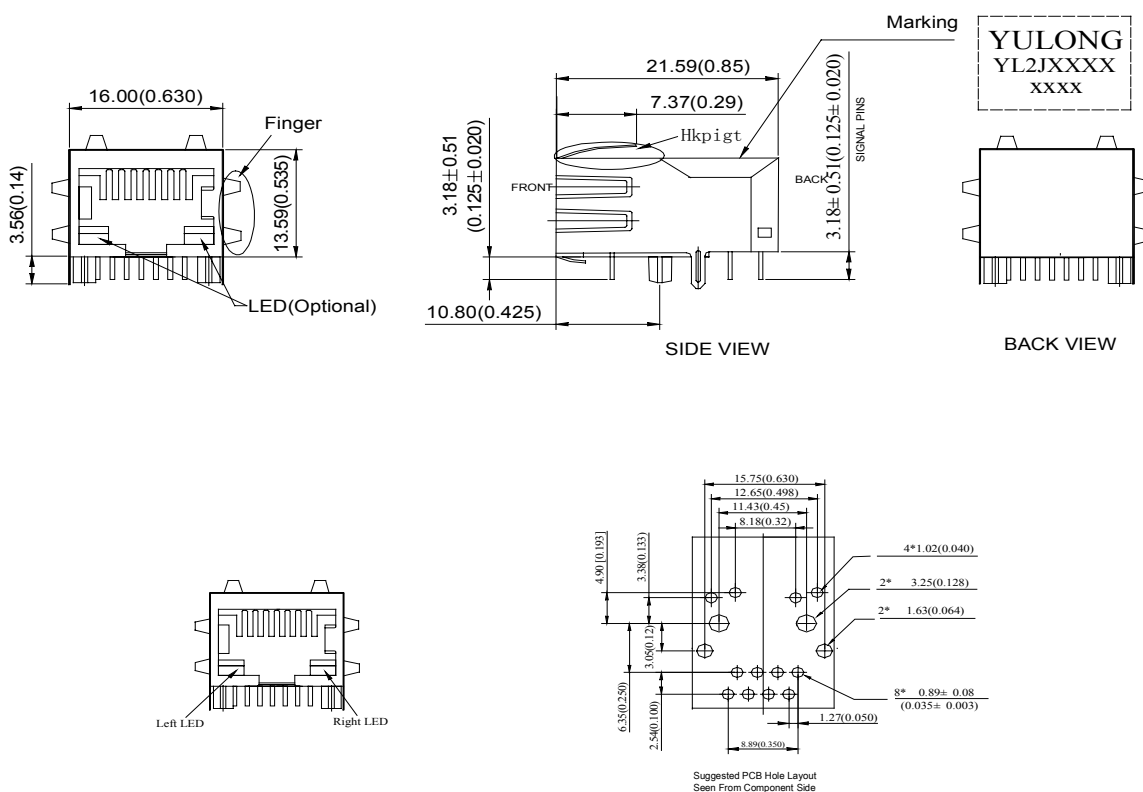
350uH minimum OCL with 8mA bias current

Minimum 1500Vrms isolation per IEEE 802.3 requirement

Electrical Specifications @ 25°C- Operating Temperature 0°C to +70°C

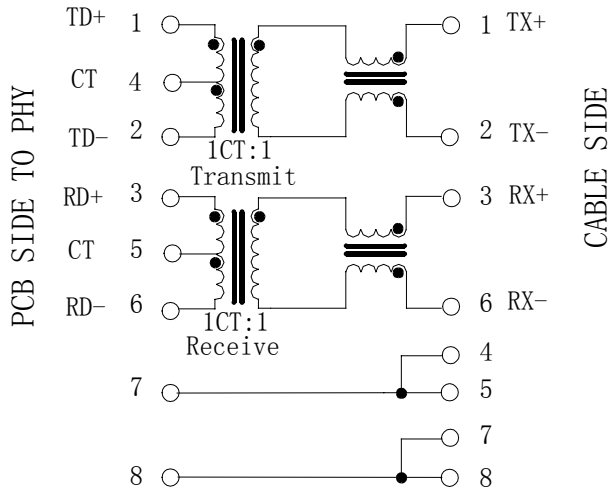
Part Number	Turns Ratios		EMI Fingers	LEDs <sup>1</sup> (L/R)	Insertion Loss (dB TYP)	Return Loss (dB TYP)					Crosstalk (dB TYP)			Common Mode Rejection (dB TYP)		Hipot (Vrms)
	TX	RX				1-65 MHz	1-10 MHz	10-30 MHz	30-60 MHz	60-80 MHz	1-30 MHz	30-60 MHz	60-100 MHz	1-50 MHz	50-150 MHz	
YL2J010A	1CT:1	1CT:1	No	G/Y	-1	-20	-16	-12	-10	-40	-35	-30	-30	-20	1500	
YL2J010B	1CT:1	1CT:1	YES	N/A	-1	-20	-16	-12	-10	-40	-35	-30	-30	-20	1500	
YL2J010C	1CT:1	1CT:1	YES	G/Y	-1	-20	-16	-12	-10	-40	-35	-30	-30	-20	1500	
YL2J011A	1CT:1	1CT:1	No	N/A	-1	-20	-16	-12	-10	-40	-35	-30	-30	-20	1500	
YL2J011B	1CT:1	1CT:1	No	G/Y	-1	-20	-16	-12	-10	-40	-35	-30	-30	-20	1500	
YL2J011C	1CT:1	1CT:1	YES	N/A	-1	-20	-16	-12	-10	-40	-35	-30	-30	-20	1500	
YL2J011D	1CT:1	1CT:1	YES	G/Y	-1	-20	-16	-12	-10	-40	-35	-30	-30	-20	1500	
YL2J011E	1CT:1	1CT:1	YES	G/G	-1	-20	-16	-12	-10	-40	-35	-30	-30	-20	1500	
YL2J015A	1CT:1	1CT:1	YES	N/A	-1	-20	-16	-12	-10	-40	-35	-30	-30	-20	1500	
YL2J017A	1CT:1.414	1CT:1	YES	N/A	-1	-20	-16	-12	-10	-40	-35	-30	-30	-20	1500	
YL2J017B	1CT:1.414	1CT:1	YES	G/G	-1	-20	-16	-12	-10	-40	-35	-30	-30	-20	1500	
YL2J021A	1CT:2	1CT:1	YES	N/A	-1	-20	-16	-12	-10	-40	-35	-30	-30	-20	1500	
YL2J021B	1CT:2	1CT:1	YES	G/Y	-1	-20	-16	-12	-10	-40	-35	-30	-30	-20	1500	
YL2J016A	1CT:1	1CT:1	No	N/A	-1	-20	-16	-12	-10	-40	-35	-30	-30	-20	1500	
YL2J016B	1CT:1	1CT:1	No	G/Y	-1	-20	-16	-12	-10	-40	-35	-30	-30	-20	1500	
YL2J016C	1CT:1	1CT:1	No	G/G	-1	-20	-16	-12	-10	-40	-35	-30	-30	-20	1500	
YL2J016D	1CT:1	1CT:1	No	G/Y	-1	-20	-16	-12	-10	-40	-35	-30	-30	-20	1500	
YL2J016E	1CT:1	1CT:1	YES	N/A	-1	-20	-16	-12	-10	-40	-35	-30	-30	-20	1500	
YL2J016F	1CT:1	1CT:1	YES	G/Y	-1	-20	-16	-12	-10	-40	-35	-30	-30	-20	1500	
YL2J016G	1CT:1	1CT:1	YES	G/G	-1	-20	-16	-12	-10	-40	-35	-30	-30	-20	1500	
YL2J016I	1CT:1	1CT:1	YES	G/Y	-1	-20	-16	-12	-10	-40	-35	-30	-30	-20	1500	
YL2J013A	1CT:1	1CT:1	YES	YG/G	-1	-20	-16	-12	-10	-40	-35	-30	-30	-20	1500	
YL2J014A	1.25CT:1	1CT:1	YES	N/A	-1	-20	-16	-12	-10	-40	-35	-30	-30	-20	1500	
YL2J018A	1CT:1	1CT:1	YES	G/Y	-1	-20	-16	-12	-10	-40	-35	-30	-30	-20	1500	
YL2J024A	1CT:2.5	1CT:1	No	G/Y	-1	-20	-16	-12	-10	-40	-35	-30	-30	-20	1500	

## Mechanical:

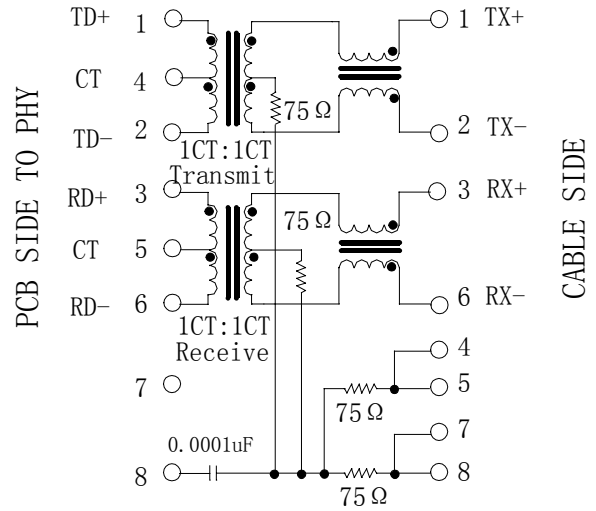


# Schematic:

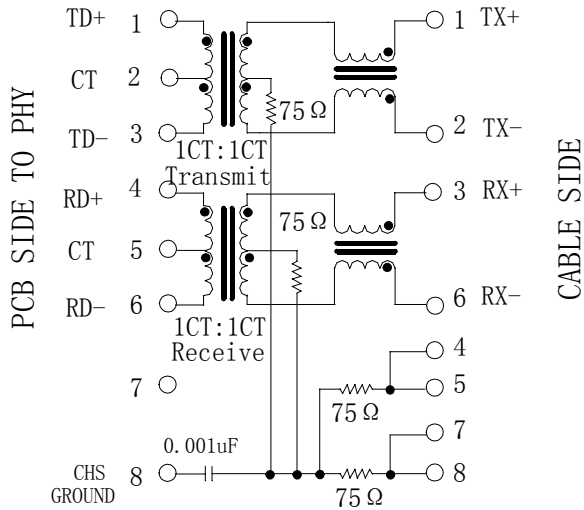
## YL2J010



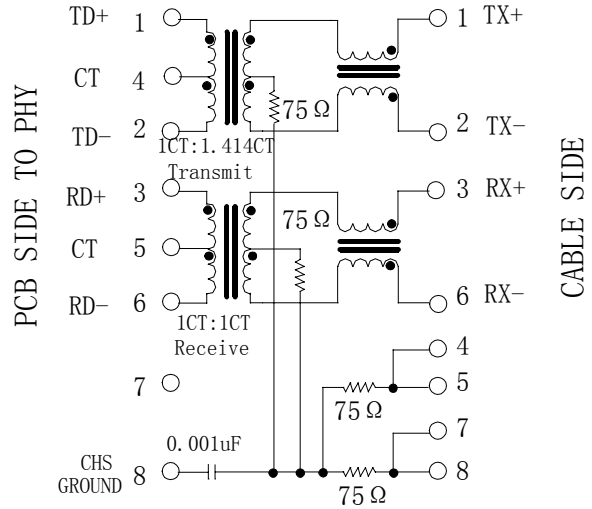
## YL2J011



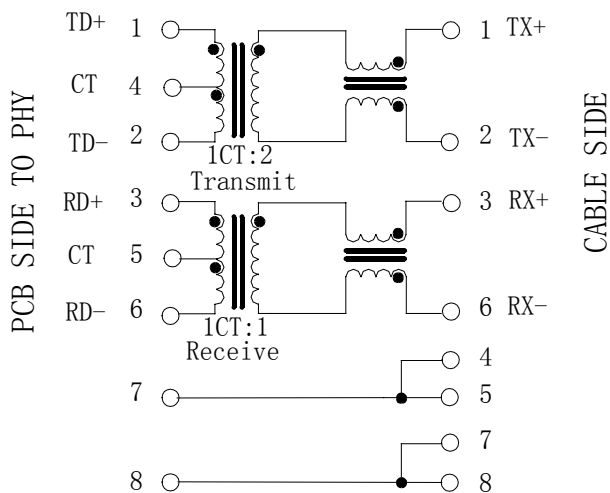
## YL2J015



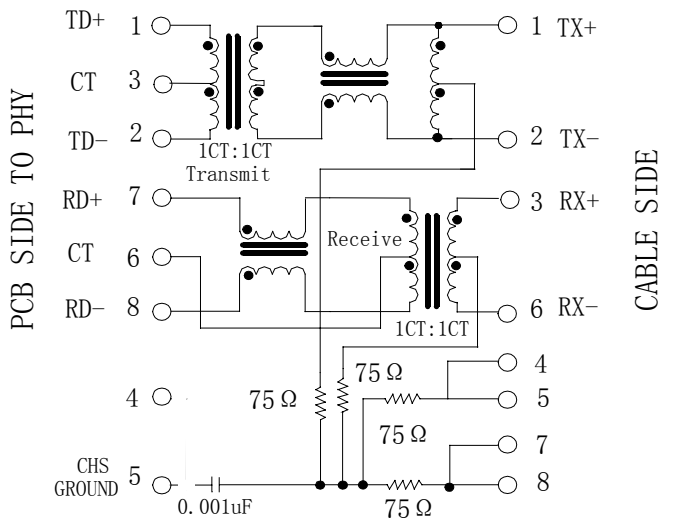
## YL2J017



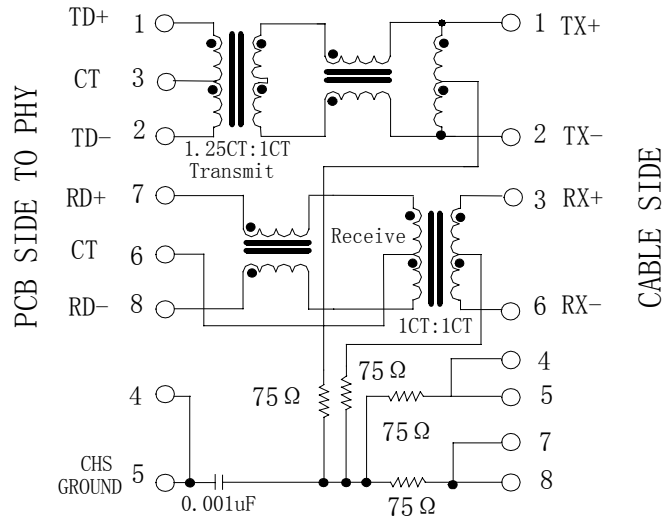
## YL2J021



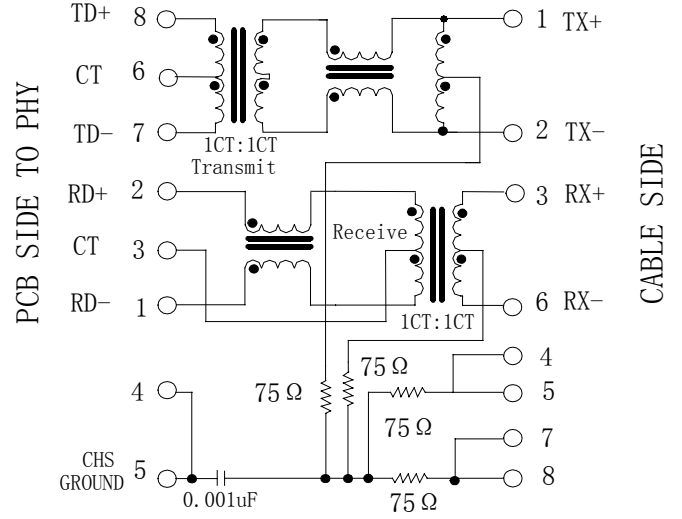
## YL2J016



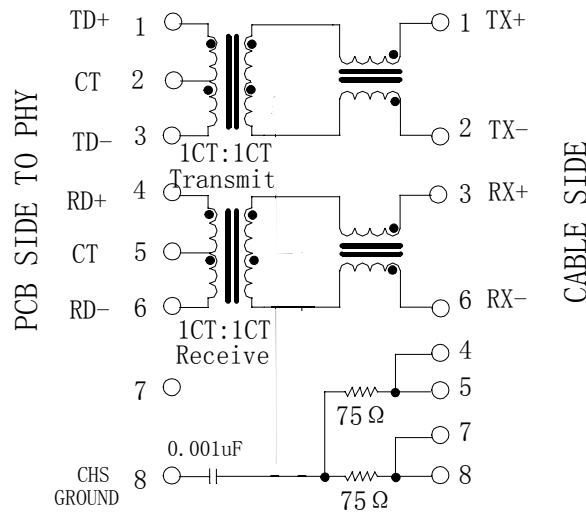
### YL2J013



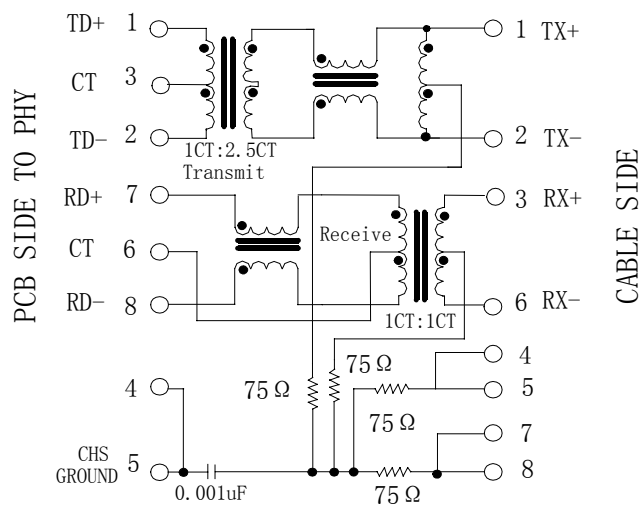
### YL2J014



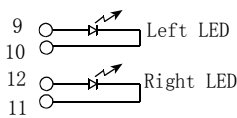
### YL2J018



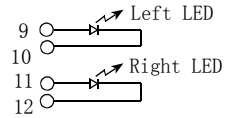
### YL2J024



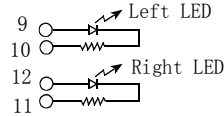
LED="B&E" Specification  
(LEDs without internal resistors)



LED="M" Specification  
(LEDs without internal resistors)



LED="F" Specification  
(LEDs without internal resistors)



LED="G" Specification  
(Bi-colore option internal resistors)

