

10/100BASE-TX VOIP Magnetics Modules with PoE capability

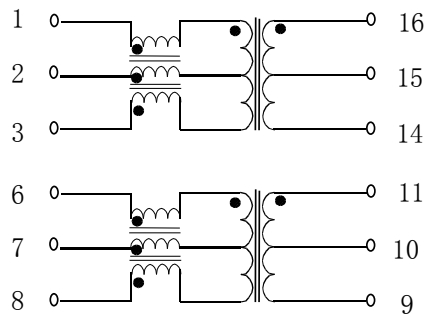
Features:

- Compatible With Various 10/100TX Transceiver Requiring 1:1 Transmit and 1:1 Receive Turn Ratio
- all IEEE 802.3 and ANSI X3.263 standard including 350 uH OCL with 8 mA bias
- 720mA MAX @57VDC CONTINUOUS
- 1.2A MAX @57VDC for 200mS
- Minimum interwinding breakdown voltage of 1500Vrms
- Operating temperature :-40°C to +85°C

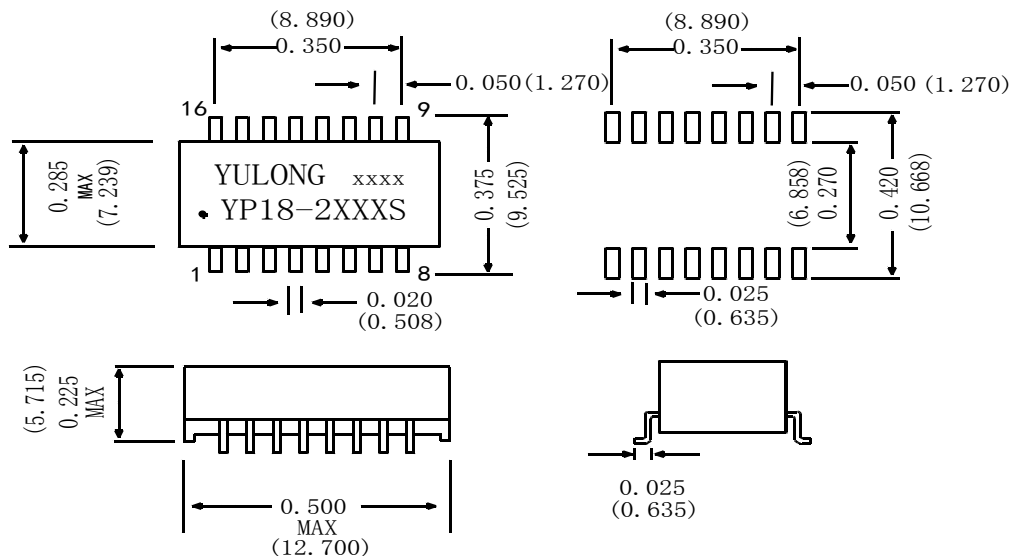
Electrical Specifications @ 25°C

Part Number	Insertion Loss (dB Max)	ReturnLoss (dB min)			Crosstalk (dB min)		
	0.1MHz to 100MHz	0.1MHz to 30MHz	30MHz to 60MHz	60MHz to 80MHz	30MHz	60MHz	100MHz
YP18-2116S	-1.4	-16	-14	-12	-40	-35	-30

Schematics



Mechanicals



NOTE:Dimensions:inches(mm) unless otherwise specified all tolerances are ±0.010 (0.25)