

100M/1000M BASE-T Magnetics Modules with PoE Option

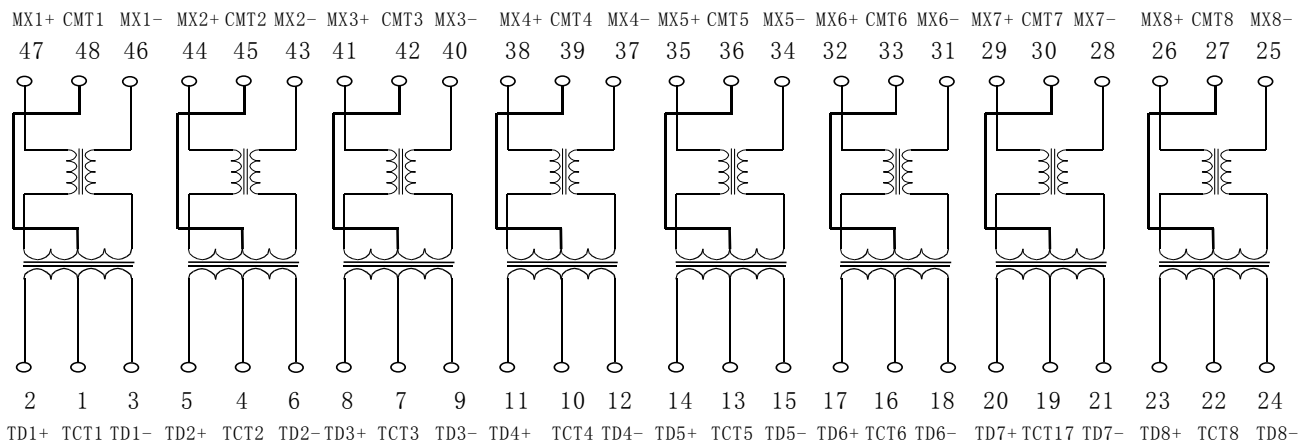
Features:

- Designed to Support 1:1 Turns Ratio Transceivers, Full duplex applications
- Supports 4 pairs of category 5 UTP cable
- Comokuant with IEEE 802.3af
- Operating temperature -40°C to +85°C
- Minimum interwinding breakdown voltage of 1500Vrms

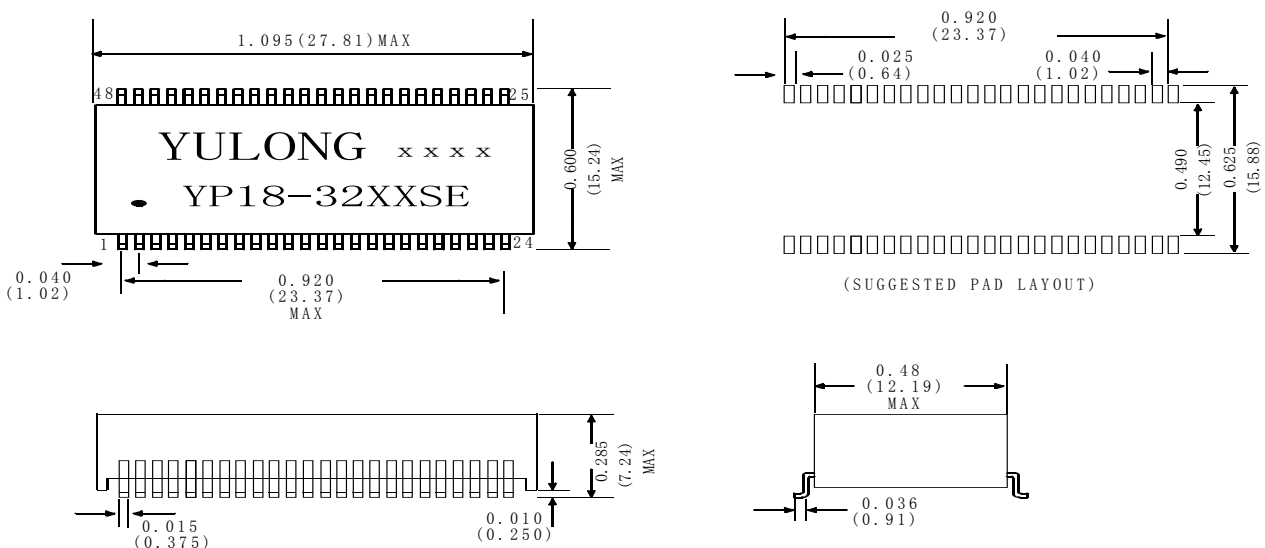
Electrical Specifications @ 25°C

Part Number	Insertion Loss (dB Max)	Return Loss (dB min)		Common to Common Mode Rejection (dB min)	Crosstalk (dB min)
	0.1MHz to 100MHz	0.5MHz to 40MHz	40MHz to 100MHz	0.1MHz to 100MHz	30MHz 60MHz 100MHz
YP18-3205SE	-1.4	-14.4	-12	-40	-43.5 -37.5 -33

Schematics



Mechanicals



NOTE: Dimensions: inches/(mm) unless otherwise specified all tolerances are ±0.010(0.25)